

In-Depth with **THE ATTENDA BED SERIES**

Designed and engineered to exceed the expectations of practitioners who have tried everything.



norix[®]
FURNITURE
Engineered to Endure[™]

Attenda Platform Bed (ATN101)

Hardware not included



This bed has exposed mounting holes and 8 exposed "pockets" underneath. The Attenda platform bed mounts in a corner, against a wall or free-standing. Sturdy and seamless, the Attenda bed features a raised lip around the bed deck for easy clean-up.

Add-ons include:

Riser (ATN102-K) bolted to the ground or free-standing. Headboard (ATN110) mounts directly to the wall. Tamper-Resistant Glides no rings (ATN-G103). Ballasting available when using an enclosure kit (ATN 106). Recommended ballast weight is 100lbs. and a max ballast weight of 200lbs.

Compatible Restraint Rings:

ATN-R01N, ATN-R06N, ATN-RR01K-01, ATN-PRR01K-01, ATN-RR06K-01, ATN-PRR06K-01

Recommended Mattress Size: 38" W x 82" L

Enclosure Kit: ATN106 - this is for ballasting, adding glides or sealing off the bottom in the field. This can be done in the field and ordered at a later date

Attenda Platform Bed (ATN101B)

Hardware not included

This bed has exposed mounting holes so that the bed is ready for installation. The underside is **covered with welded on plastic sheet** done during the manufacturing process (must be communicated at the time of order).

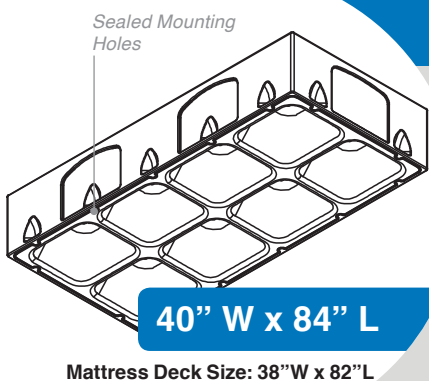
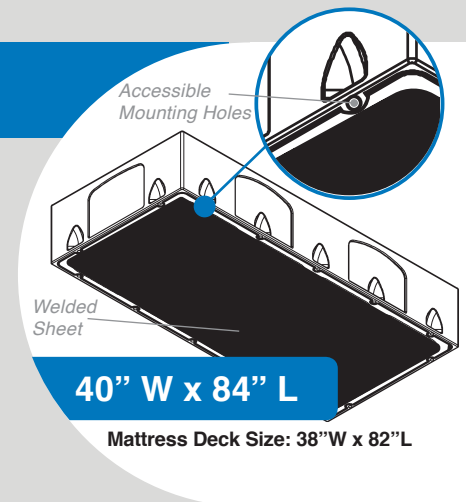
Add-ons include:

Riser (ATN102-K) bolted to the ground or free-standing. Headboard (ATN110) mounts directly to the wall. Tamper-Resistant Glides no rings (ATN-G103). Ballasting is not available.

Compatible Restraint Rings:

ATN-R01N, ATN-R06N, ATN-RR01K-01, ATN-PRR01K-01, ATN-RR06K-01, ATN-PRR06K-01

Recommended Mattress Size: 38" W x 82" L



Attenda Platform Bed (ATN103)

Hardware not included

This bed does not have mounting holes - area will be molded closed during the manufacturing process resulting in a flat surface area. **Mounting holes cannot be added later** in the field because it will expose the internal foam and cause damage to the bed. The underside of bed features 8 exposed "pockets"

Add-ons include:

Headboard (ATN110) mounts directly to the wall. Riser not recommended because drilling will expose foam and can cause damage. Tamper-Resistant Glides and ballasting not available.

Compatible Restraint Rings:

Not available

Recommended Mattress Size: 38" W x 82" L

Attenda Platform Bed (ATN103B) *Hardware not included*

This bed does not have mounting holes - area will be molded closed during the manufacturing process resulting in a flat surface area. Mounting holes cannot be drilled in later in the field because it will expose the internal foam and cause damage to the bed

Underside is **covered with welded on plastic sheet** done during the manufacturing process (*this must be communicated at the time of order and it cannot be added in the field*)

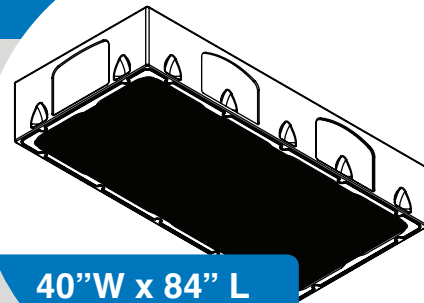
Add-ons include:

Headboard (ATN110) mounts directly to the wall. Riser (ATN102-K) not recommended because drilling will expose foam and can cause damage. Tamper-Resistant Glides (ATN-G103), ballasting not available.

Compatible Restraint Rings:

Not available

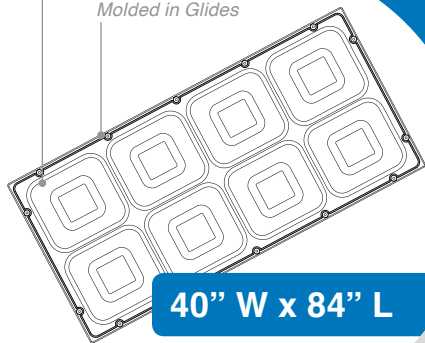
Recommended Mattress Size: 38" W x 82" L



40" W x 84" L

Mattress Deck Size: 38" W x 82" L

Accessible Mounting Holes
Molded in Glides



40" W x 84" L

Mattress Deck Size: 38" W x 82" L

Attenda Platform Bed (ATN103FC) *Hardware not included*

This bed does not have mounting holes - area will be molded closed during the manufacturing process resulting in a flat surface area. Mounting holes cannot be added in the field because the bed has **14 molded in glides** on the underside of the perimeter which leaves 3/8" floor clearance. Underside of bed features 8 exposed "pockets"

Add-ons include:

Headboard (ATN110) mounts directly to the wall. Riser (ATN102-K), Tamper-Resistant Glides and ballasting not available.

Compatible Restraint Rings:

Not available

Recommended Mattress Size: 38" W x 82" L

Attenda Platform Bed (ATN103BFC) *Hardware not included*

This bed does not have mounting holes - area will be molded closed during the manufacturing process resulting in a flat surface area. Mounting holes cannot be added in the field because it will expose the internal foam and cause damage to the bed. The underside features **14 non-adjustable glides and a plastic sheet is welded** on during manufacturing process to seal off bottom. (*Must be communicated at time of the order.*)

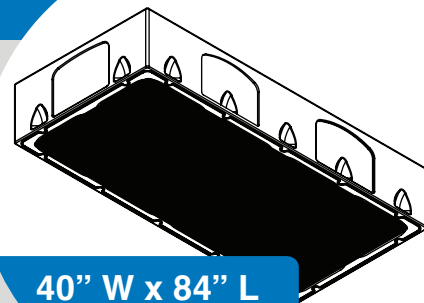
Add-ons include:

Headboard (ATN110) mounts directly to the wall. Riser (ATN102-K) not recommended because drilling will expose foam and can cause damage. Tamper-Resistant Glides (ATN-G103), Restraint Rings and ballasting not available.

Compatible Restraint Rings:

Not available

Recommended Mattress Size: 38" W x 82" L



40" W x 84" L

Mattress Deck Size: 38" W x 82" L

Attenda SpaceSaver Bed (ATN120) *Hardware not included*

Exposed mounting holes so that the bed is ready for installation. Underside of bed features **8 exposed "pockets"**

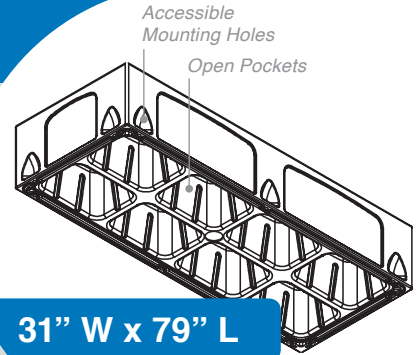
Add-ons include:

Tamper-Resistant Glides (ATN-G103) without rings available, Headboard (ATN110), Bed riser and ballasting not available.

Compatible Restraint Rings:

Not available

Recommended Mattress Size: 29" W x 77" L



31" W x 79" L

Mattress Deck Size: 29"W x 77"L

Attenda SpaceSaver Bed (ATN120B) *Hardware not included*

Provides **exposed mounting holes** so that the bed is ready for installation. Underside of bed is covered with **welded on plastic sheet** during manufacturing process.

(Must be communicated at time of the order.)

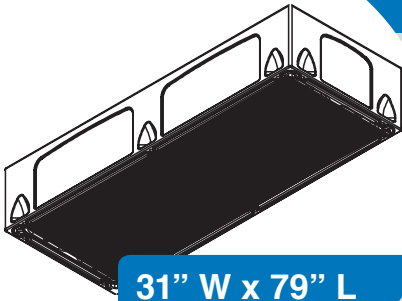
Add-ons include:

Tamper-Resistant Glides (ATN-G103) without rings available. Bed Riser, Headboard (ATN110) and ballasting not available.

Compatible Restraint Rings:

Not available

Recommended Mattress Size: 29" W x 77" L



31" W x 79" L

Mattress Deck Size: 29"W x 77"L

Attenda SpaceSaver Bed (ATN123) *Hardware not included*

Bed does not have mounting holes - area will be molded closed during the manufacturing process resulting in a flat surface area. Mounting holes cannot be added in later it will expose the internal foam and cause damage to the bed. Underside of bed features **8 exposed "pockets"**

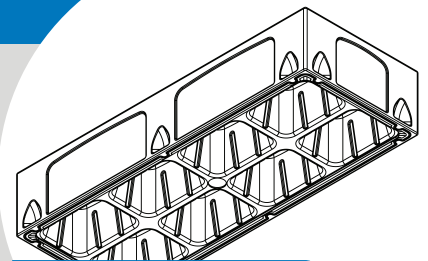
Add-ons include:

Tamper-Resistant Glides (ATN-G103) without rings, Bed Riser, Headboard, and ballasting not available.

Compatible Restraint Rings:

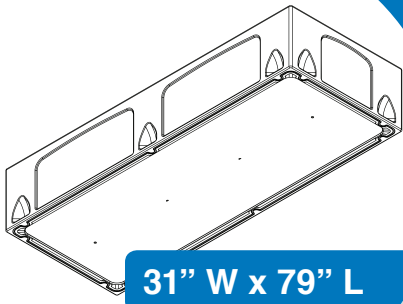
Not available

Recommended Mattress Size: 29" W x 77" L



31" W x 79" L

Mattress Deck Size: 29"W x 77"L



31" W x 79" L

Mattress Deck Size: 29"W x 77"L

Attenda SpaceSaver Bed (ATN123B)

Hardware not included

Bed does not have mounting holes - area will be molded closed during the manufacturing process resulting in a flat surface area. Mounting holes cannot be drilled in later in the field because it will expose the internal foam and cause damage to the bed.

The underside is **covered with welded on plastic sheet** done during the manufacturing process (*this must be communicated at the time of order and it cannot be added in the field*)

Add-ons include:

Tamper-Resistant Glides (ATN-G103) without rings, Bed Riser, Headboard, and ballasting not available.

Compatible Restraint Rings:

Not available

Recommended Mattress Size: 29" W x 77" L

Attenda SpaceSaver Bed (ATN150)

Hardware not included

Exposed mounting holes so that the bed is ready for installation. Underside of bed features **8 exposed "pockets"**.

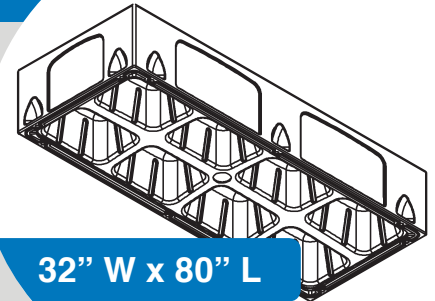
Add-ons include:

Tamper-Resistant Glides (ATN-G103) without rings, Bed Riser, Headboard, and Ballasting not available.

Compatible Restraint Rings:

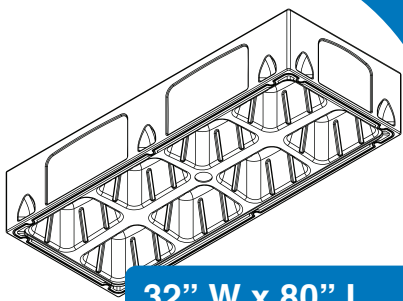
Not available

Recommended Mattress Size: 30" W x 79" L



32" W x 80" L

Mattress Deck Size: 30"W x 79"L



32" W x 80" L

Mattress Deck Size: 30"W x 79"L

Attenda SpaceSaver Bed (ATN153)

Hardware not included

Designed to be a **free-standing bed**. This bed **does not have mounting holes** - area will be molded closed during the manufacturing process resulting in a flat surface in that area. Mounting holes cannot be drilled in later in the field because it will expose the internal foam and cause damage to the bed. Underside of bed features **8 exposed "pockets"**.

Add-ons include:

Tamper-Resistant Glides (ATN-G103) without rings, Bed Riser, Headboard, and Ballasting not available.

Compatible Restraint Rings:

Not available

Recommended Mattress Size: 30" W x 79" L

Attenda Bed With Storage (ATN130) *Hardware not included*

Provides exposed mounting holes so that the bed is ready for installation. Underside of bed features 8 exposed "pockets"

Add-ons include:

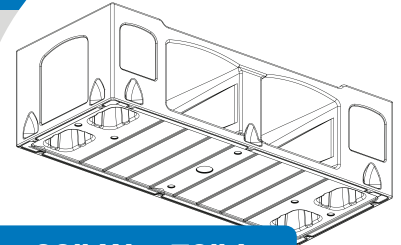
Tamper-Resistant Glides (ATN-G103) no rings available. Ballasting available when using an enclosure kit (ATN130-0001). Recommended ballast weight is 100lbs also being the max recommended weight.

Compatible Restraint Rings:

Not available

Recommended Mattress Size: 30" W x 75" L

Enclosure Kit: ATN130-0001 - *this is for ballasting, adding glides or sealing off the bottom in the field*
This can be done in the field and ordered at a later date



32" W x 78" L

Mattress Deck Size: 30"W x 76"L

Attenda Bed With Storage (ATN133) *Hardware not included*

Bed does not have mounting holes - area will be molded closed during the manufacturing process resulting in a flat surface area. Mounting holes cannot be drilled in later in the field because it will expose the internal foam and cause damage to the bed. Underside of bed features 4 exposed "pockets".

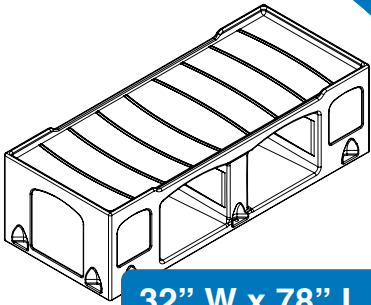
Add-ons include:

Not available

Compatible Restraint Rings:

Not available

Recommended Mattress Size: 30" W x 75" L

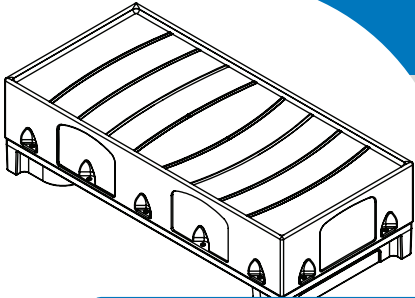


32" W x 78" L

Mattress Deck Size: 30"W x 76"L

Attenda Bed Accessories

Attenda Platform Bed Riser (ATN102-K)



40" W x 84" x 8" H

Our optional platform bed riser will raise the sleep surface 8", making it easier for staff to administer to patients as well as accommodate a patient lift device. Bed fastens securely to the bed risers at the existing anchor locations of the bed (tamper-resistant connecting hardware included). *Only compatible with ATN101, ATN101B*

Add-ons include:

Tamper-Resistant Glides with or without rings. Ballasting available is using an enclosure kit (ATN 106). Recommended ballast weight is 100lbs. and a max ballast weight of 200lbs.

Attenda Headboard (ATN110)

Hardware not included

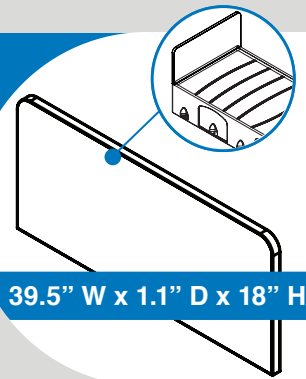
The headboard mounts directly to the wall

Compatible with:

ATN101, ATN101B, ATN103, ATN103B, ATN103FC, and ATN103BFC

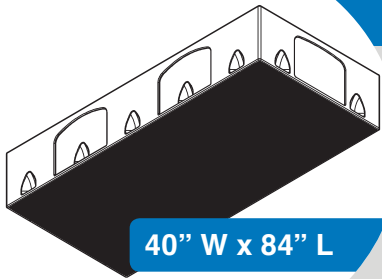
Available Laminates:

Wild Cherry, Kensington Maple, Montana Walnut, Asian Sand



39.5" W x 1.1" D x 18" H

Attenda Enclosure Kit (ATN106)



40" W x 84" L

Plastic plate can only be added to ATN101 - this is for ballasting, adding glides or sealing off the bottom in the field. This can be done in the field and ordered at a later date

Add-ons include:

Tamper-Resistant Glides with or without rings. Ballasting available is using an enclosure kit (ATN 106). Recommended ballast weight is 100lbs. and a max ballast weight of 200lbs.

Includes hardware so facilities can mount panel to bed in field

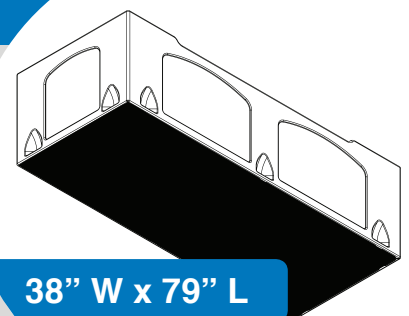
Attenda Enclosure Kit (ATN130-0001)

Plastic plate can only be added to ATN130 - this is for ballasting, adding glides or sealing off the bottom in the field. This can be done in the field and ordered at a later date

Add-ons include:

Riser not recommended because it is too large compared to the Bed. Tamper-Resistant Glides and ballasting not available.

Includes hardware so facilities can mount panel to bed in field



38" W x 79" L

Attenda Removable Restraint Rings

The removable restraint ring allows staff the flexibility to quickly install the protective measure only when necessary. The absence of restraint rings lends to a more humanized and calming environment. With the use of a key, staff can quickly install or remove the restraint ring when circumstances require it. A spacer is installed when the restraint ring is not necessary, which eliminates the ligature point.

ATN-R01N(Set of 1) and ATN-R06N (Set of 6) - Standard Steel Restraint Ring

ATN-RR01K(Set of 1) and ATN-RR06K (Set of 6) - Standard Removable Restraint Ring Kit

To be used with:

