

NORIX

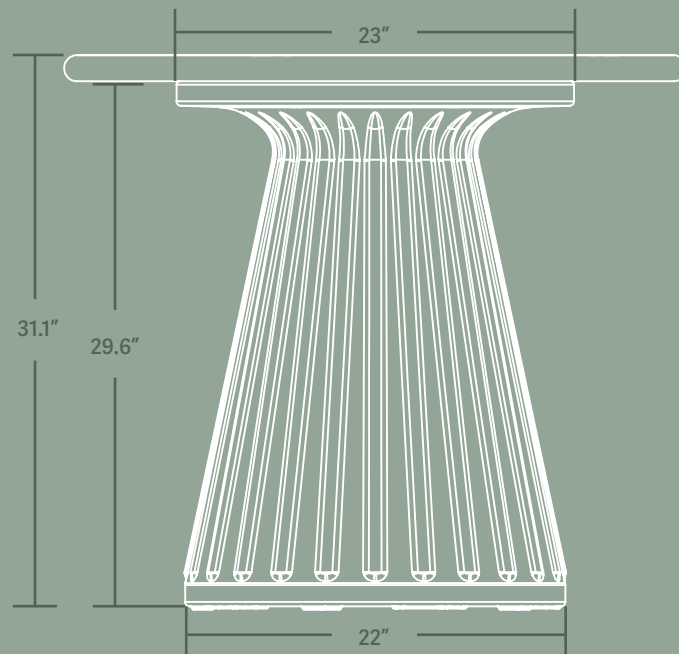


EVOLVE TABLE

EVOLVE TABLE

An eloquent evolution from a traditional table design. Ribbed design details provide a neutral and comforting repetitive pattern while avoiding perceived two-dimensional imagery. The tapered base creates increased stability when ballasted and allows for easy cleaning.

EVOLVE DIMENSIONS



IDEAL ENVIRONMENTS

Evolve is designed with several key features that make it ideal for **Behavioral Healthcare** and **Corrections** environments. A simple dimensional pattern around its base **decreases the risk of voluntary and involuntary mental imagery**, helping residents with mental disorders like PTSD, bipolar disorder, or schizophrenia to avoid experiencing anxiety and/or hallucinations from external stimuli. Plus, like all Norix products, Evolve is robustly engineered for **safety, long-term durability and easy cleanability.**



MINDFULLY DESIGNED

The Evolve Table is highlighted by its use of **neuro-aesthetic design principles** to support a calm, comforting environment. Studies have shown that **rotational visual symmetry**, like the ribbed design details integrated into Evolve's base, has been linked to **positive emotional and psychological experiences**.

WHY IS EVOLVE THE BETTER CHOICE FOR A TABLE?

Intensive use furniture is often designed with safety features to support the **physical health** of the end user, but their impact on **mental health** is often neglected. Evolve utilizes **rotational symmetry** around the base to **promote positive emotional and psychological experiences** while simultaneously **enhancing overall strength and durability**.

HOW DO YOU DESIGN FOR BETTER CLEANLINESS?

By listening to feedback from end users, we are able to **diagnose common pain points** and **implement innovative solutions through design**. These insights sparked the development of a unique tapered base for Evolve that is elevated and recessed to allow cleaning instruments to easily sanitize around the base.

NORIX

With over 40 years of experience furnishing challenging environments, we recognize the incredibly unique set of challenges present in behavioral healthcare settings. Installing the appropriate balance of comfort and beauty to complement the extreme safety, security and durability requirements can have a profound effect on patient rehabilitation.

NORIX.COM | Interested in our products?
Call us to schedule a tour of our showroom | 630-231-1331